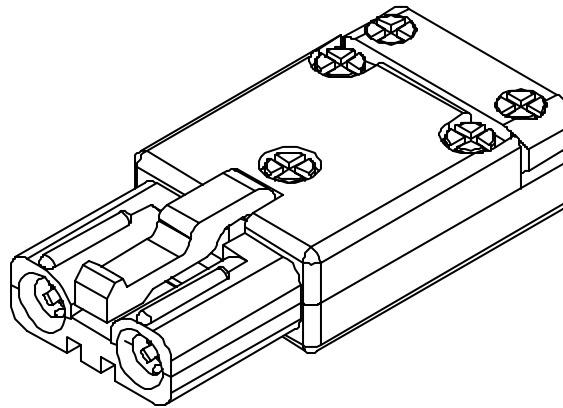




UL Listed Receptacle Polarized for 48 Volts and 65 Amp Contacts for Use on Information Technology Equipment



Part #:	48CA65L, 48CA65USL, 48CA65SUSL
Certifications:	UL Listed Receptacle Meets requirements of RoHS Directive 2002/95/EC
Flammability: Rating	UL 94V0
Mass:	35.7 grams
Oxygen Index:	35 %
Polymer %:	69.8%
Housing:	Lexan® 940 (polycarbonate)
Contacts:	Tin Plated Copper with Stainless Steel Springs
Fasteners:	Zinc Plated Steel